

we  
are  
arco

product  
**Extend**

we  
make  
tables

designer  
**Arco Design Team**

arco

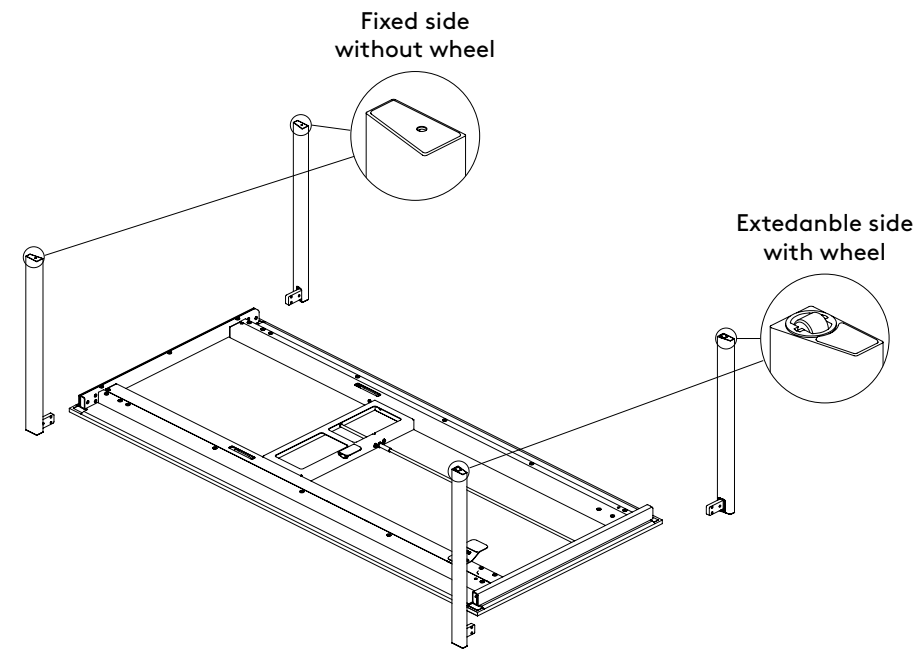
Year  
2023

Assembly  
instructions

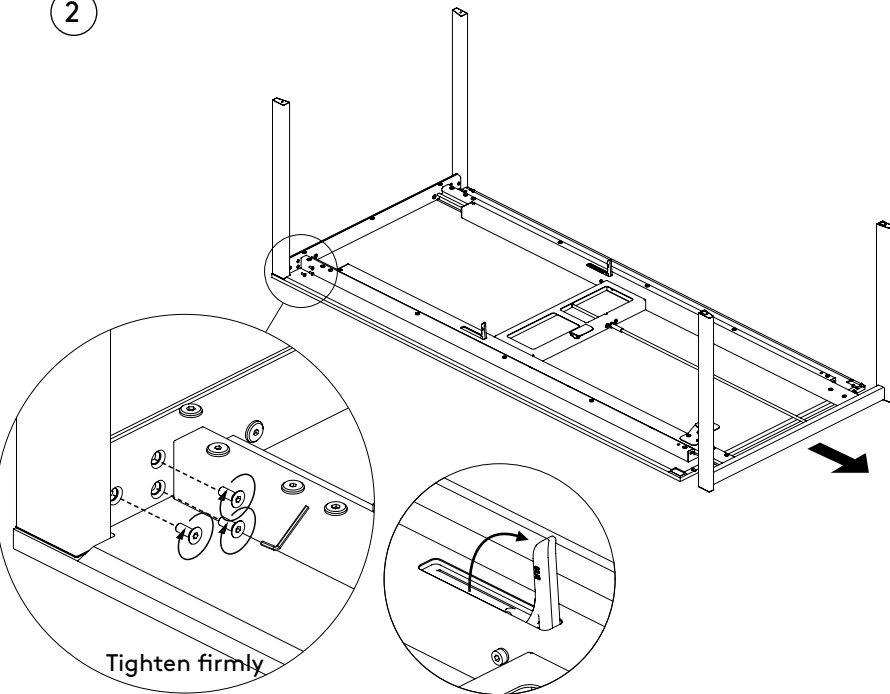
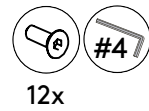
Please follow step 1 - 13



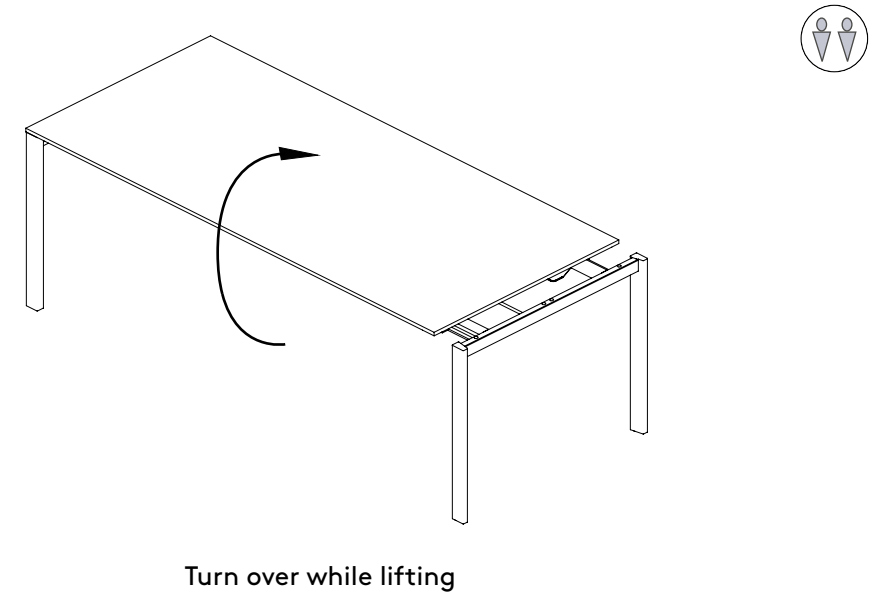
1



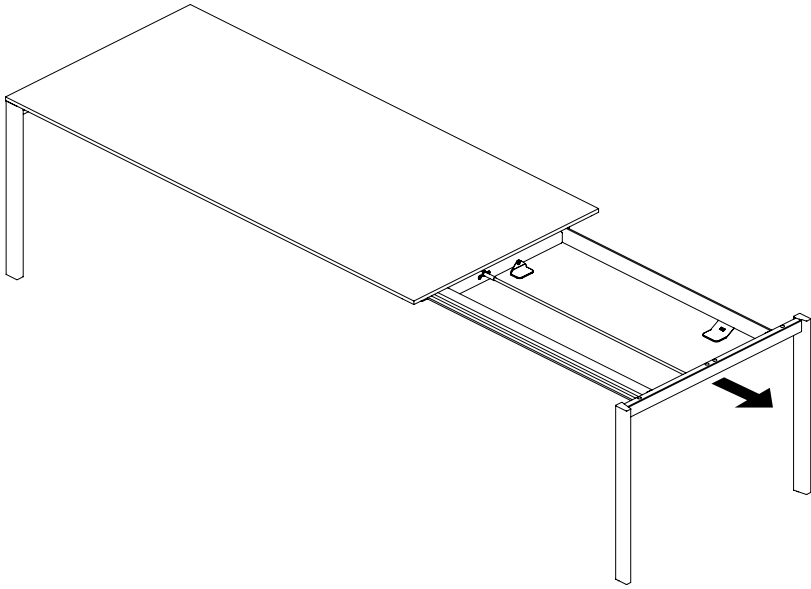
2



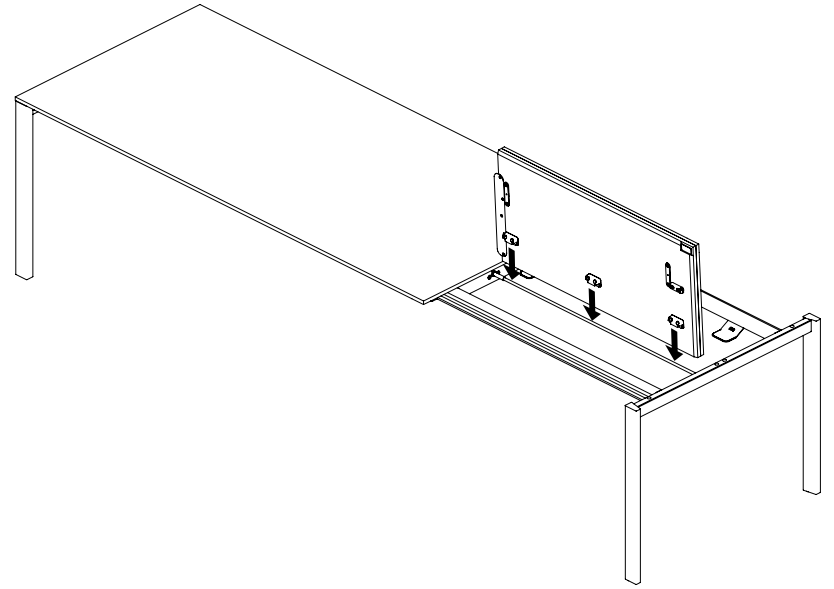
3



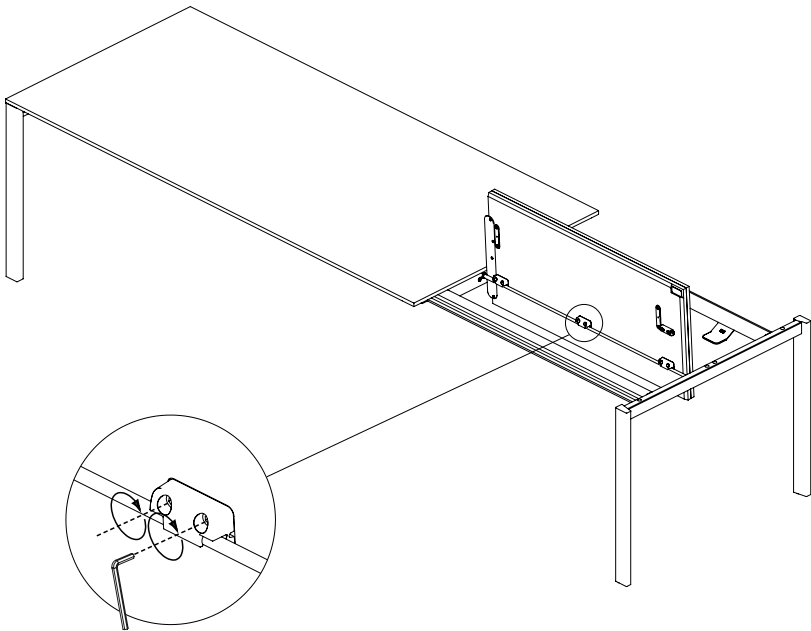
4



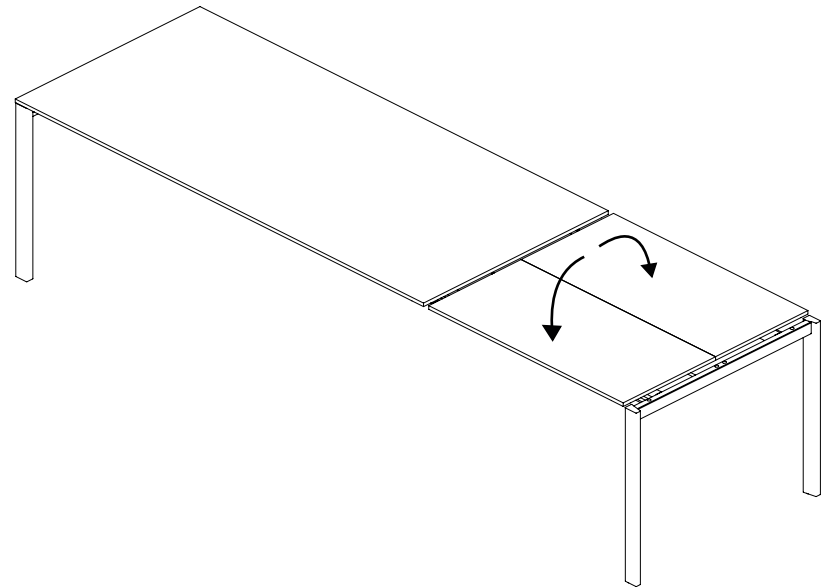
5



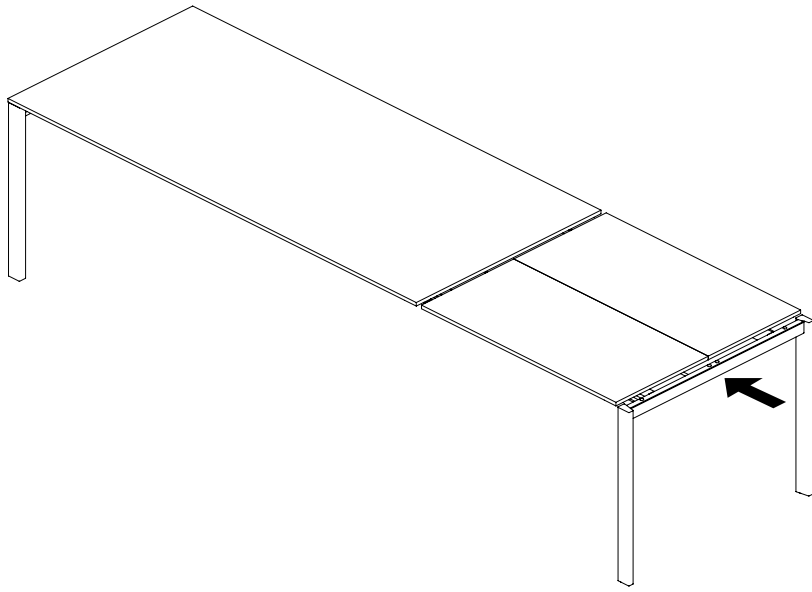
6



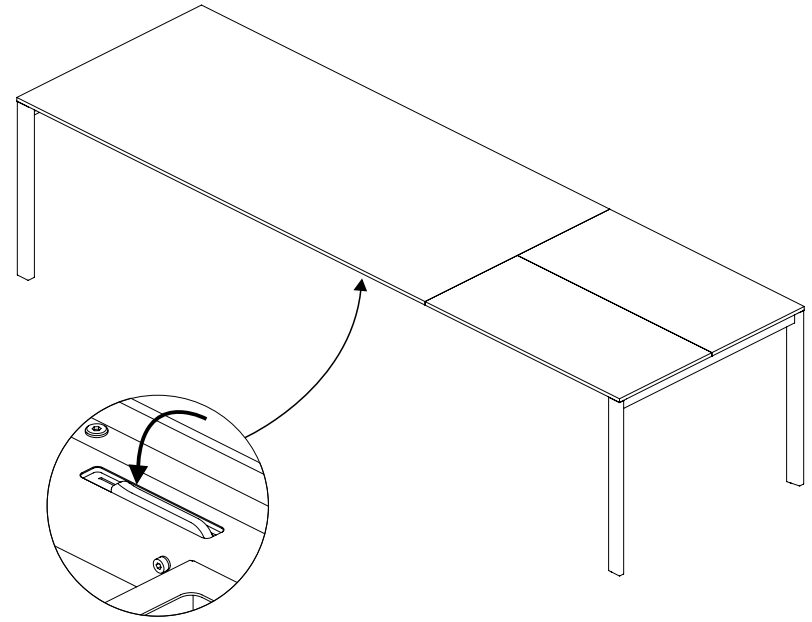
7



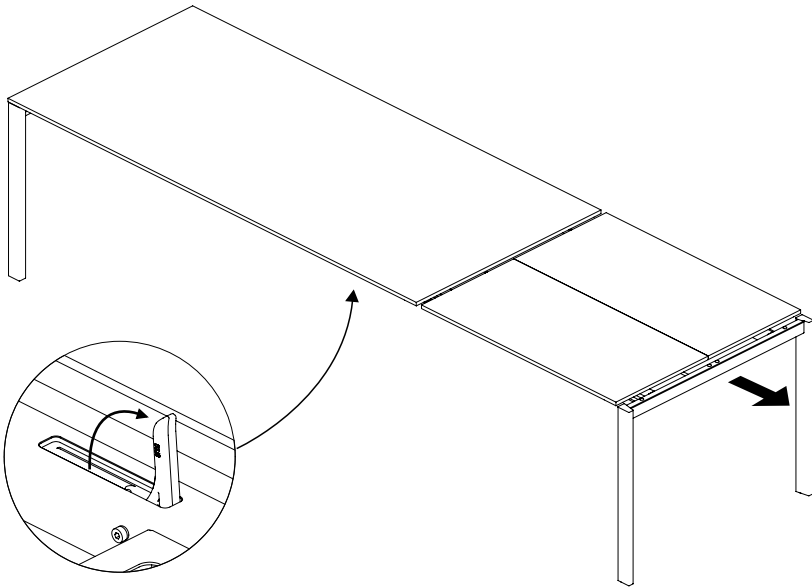
8



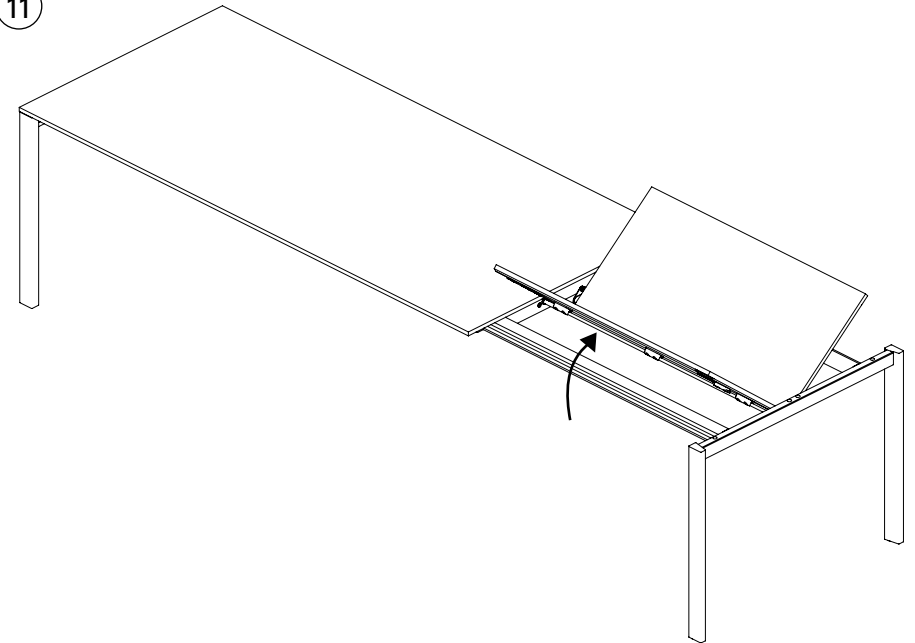
9



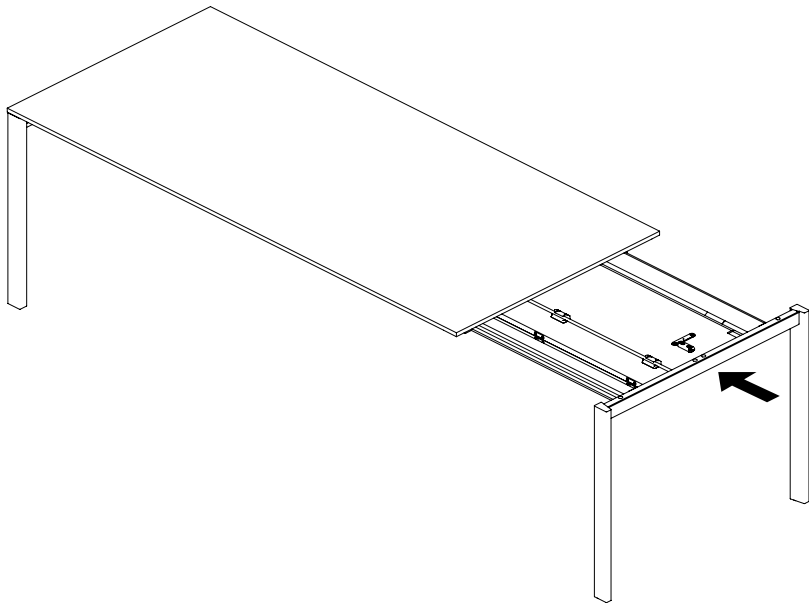
10



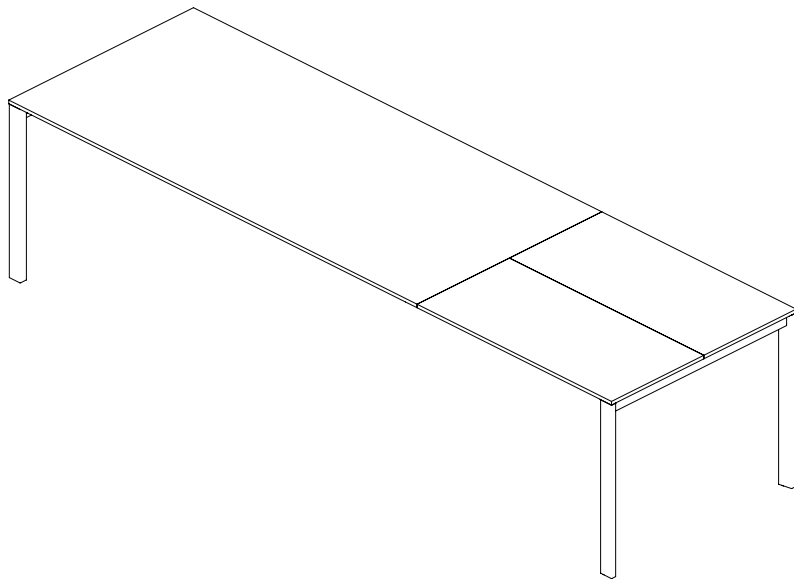
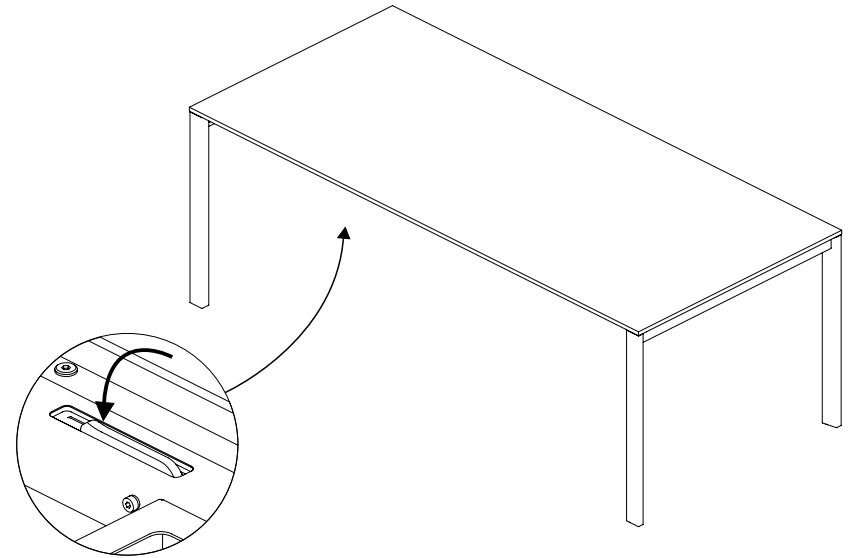
11



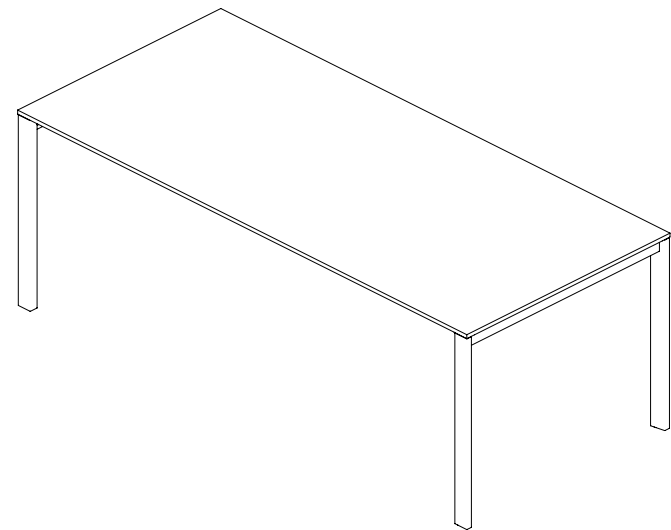
12



13



To avoid differences in color between the table top and the extension top, the extension top should be exposed to sunlight for a few months.



Afterwards the extension top can be retracted.